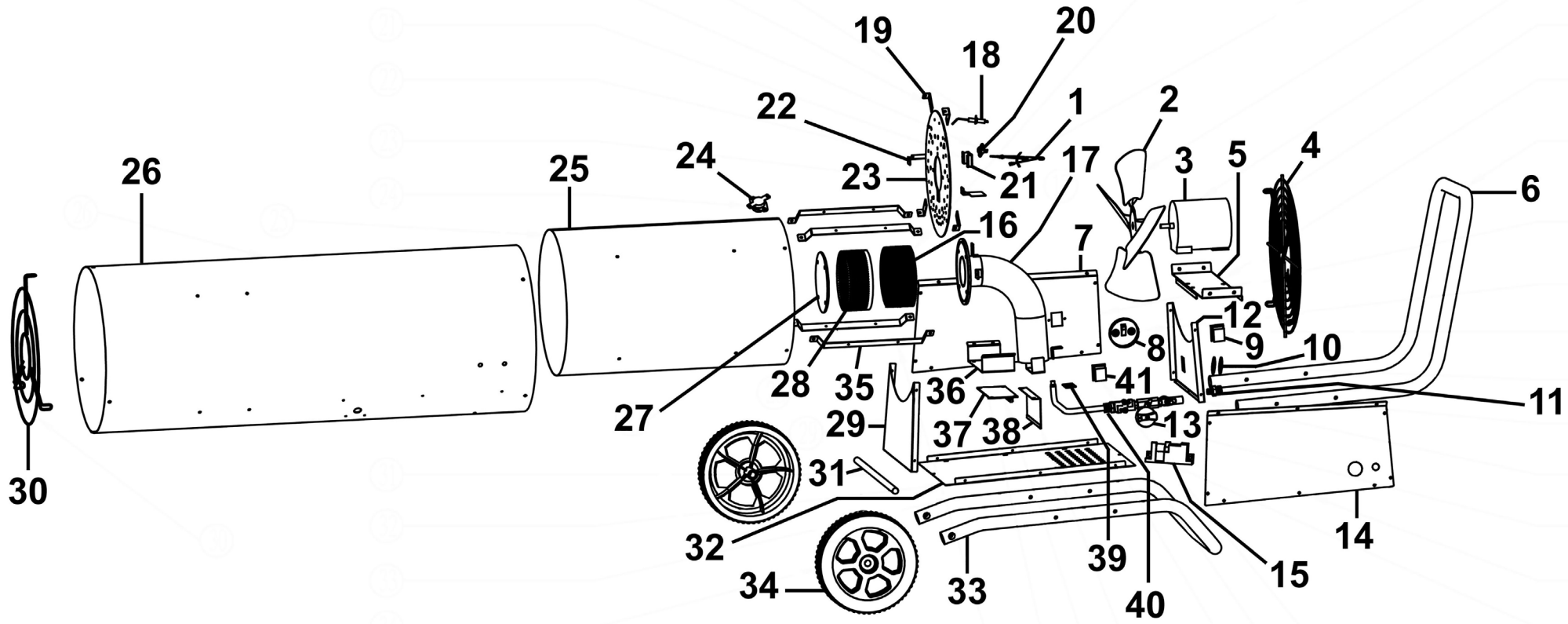




Parts Information:  
Dual Voltage Space Warmer® Propane Heater 210,000-400,000Btu/hr  
Model No: LP401.V3



**NOTE:** It is our policy to continually improve products and as such we reserve the right to alter data, specifications and component parts without prior notice.

There may be alternative versions of this product, please contact us should you require this information.

**IMPORTANT:** No liability is accepted for incorrect use of product. Spare parts must be fitted by a competent person

**WARRANTY:** Guarantee is 12 months from purchase date, proof of which will be required for any claim.

Sealey Group, Kempson Way, Suffolk Business Park, Bury St Edmunds, Suffolk. IP32 7AR

01284 757500 | sales@sealey.co.uk | www.sealey.co.uk



TM

Parts Information:  
**Dual Voltage Space Warmer® Propane  
 Heater 210,000-400,000Btu/hr  
 Model No: LP401.V3**

Item	Part No.	Description	Qty
1	LP401-V3-01	Thermocouple	1
2	LP401-V3-02	Fan Blade	1
3	LP401-V3-03	Motor 110/230V 50Hz	1
4	LP401-V3-04	Air Inlet Grille (Rear)	1
5	LP401-V3-05	Motor Plate	1
6	LP401-V3-06	Front Upper Handle	1
7	LP401-V3-07	Left Side Plate	1
8	LP401-V3-08	Protective Cover	1
9	LP401-V3-09	Power Switch 250V 6A/16A	1
10	LP401-V3-10	Air Intake Connector Fixed Plate	1
11	LP401-V3-11	Air Intake Connector	1
12	LP401-V3-12	Back Plate	1
13	LP401-V3-13	Adjustment Knob	1
14	LP401-V3-14	Right Side Plate	1
15	LP401-V3-15	Ignition Transformer AX110-240V 50/60Hz	1
16	LP401-V3-16	Burner Head Cover	1
17	LP401-V3-17	Combustion Head	1
18	LP401-V3-18	Ignition Needle	1
19	LP401-V3-19	Airflow Bracket	2
20	LP401-V3-20	Temperature Control 10A/250V 95°C	2
21	LP401-V3-21	Temperature Control Bracket	1

Item	Part No.	Description	Qty
22	LP401-V3-22	Airflow Plate	1
23	LP401-V3-23	Burner Disc	1
24	LP401-V3-24	Upper Temperature Control 10A/250V 90°C	1
25	LP401-V3-25	Inner Body Cover	1
26	LP401-V3-26	Outer Body Cover	1
27	LP401-V3-27	Insulation Plate	1
28	LP401-V3-28	Burner Head	1
29	LP401-V3-29	Inner Support Panel	1
30	LP401-V3-30	Inlet Grille (Front)	2
31	LP401-V3-31	Wheel Axle Ø12mm	1
32	LP401-V3-32	Base Plate	1
33	LP401-V3-33	Support Frame	1
34	LP401-V3-34	Fixed Wheel	1
35	LP401-V3-35	Heat Insulation Bracket	1
36	LP401-V3-36	Power Panel (PCB) Bracket	1
37	LP401-V3-37	Power Panel (PCB)	1
38	LP401-V3-38	Plate	1
39	LP401-V3-39	Nozzle Bracket	1
40	LP401-V3-40	Cut-Off Valve Pipe	1
41	LP401-V3-41	Voltmeter Switch 16A/250V T100/55	1

**NOTE:** It is our policy to continually improve products and as such we reserve the right to alter data, specifications and component parts without prior notice. There may be alternative versions of this product, please contact us should you require this information.

**IMPORTANT:** No liability is accepted for incorrect use of product. Spare parts must be fitted by a competent person

**WARRANTY:** Guarantee is 12 months from purchase date, proof of which will be required for any claim.

**Sealey Group**, Kempson Way, Suffolk Business Park, Bury St Edmunds, Suffolk. IP32 7AR



01284 757500



sales@sealey.co.uk



www.sealey.co.uk